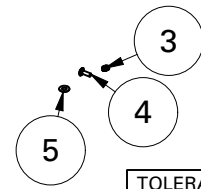
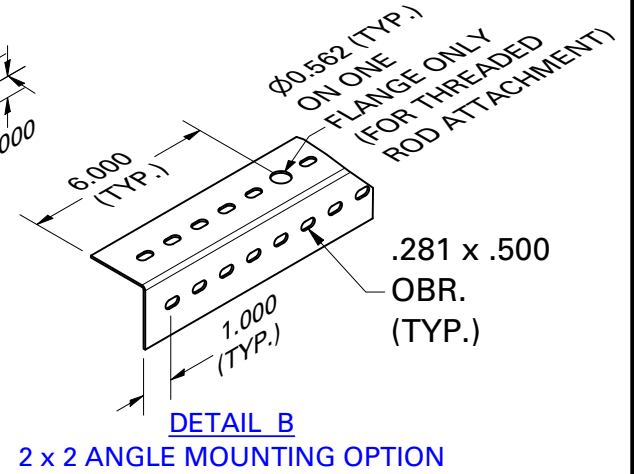
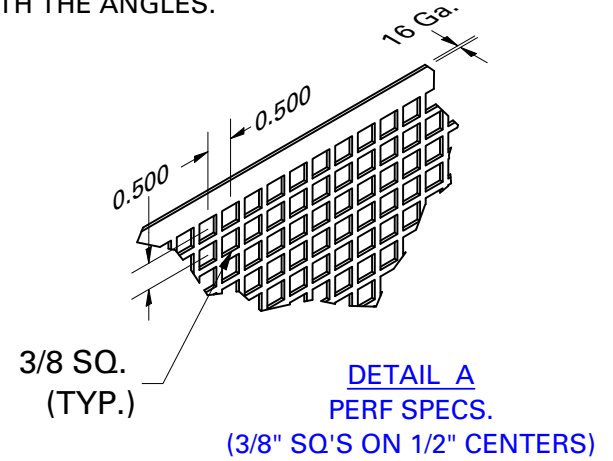
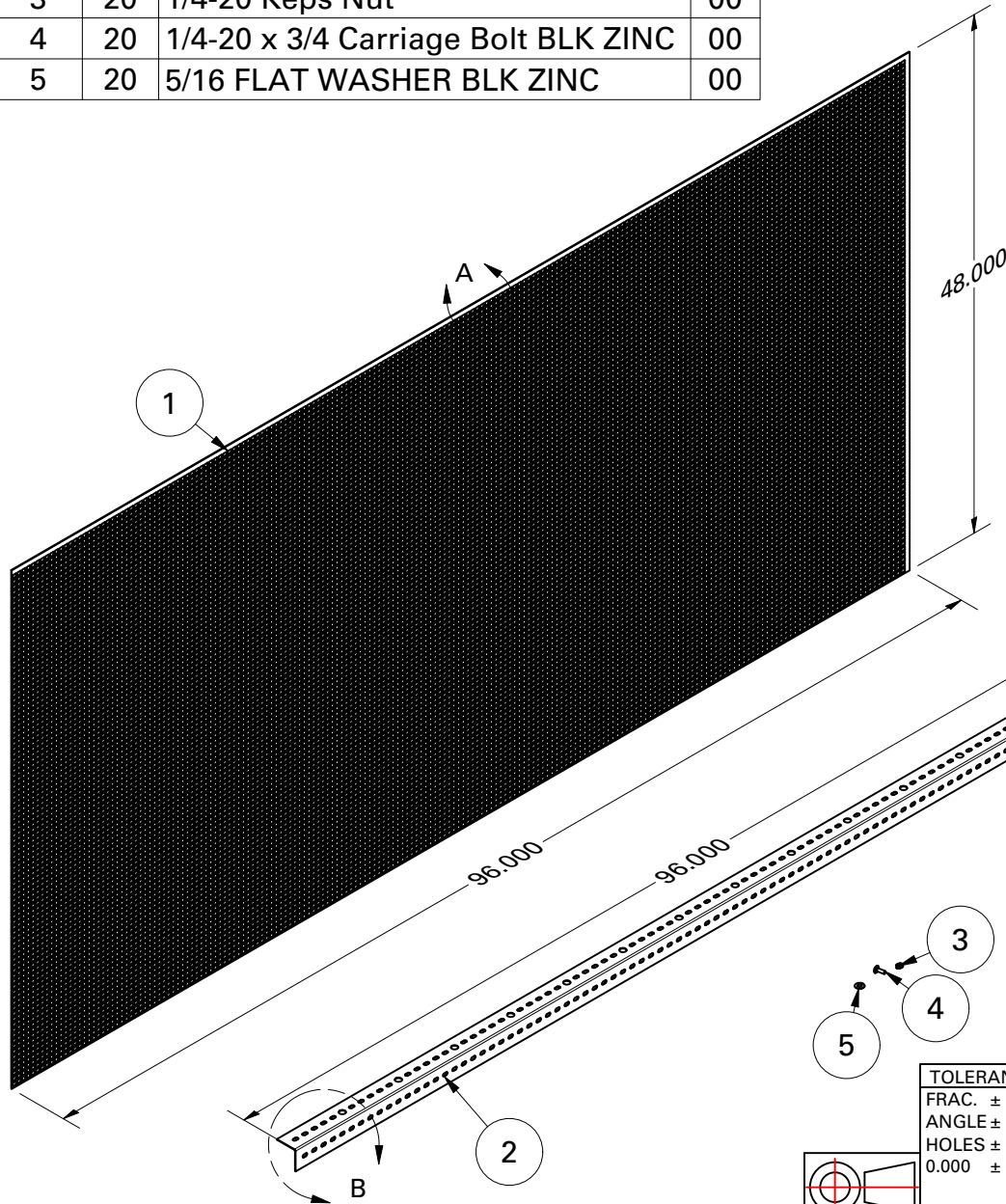


**PARTS LIST**

ITEM	QTY	PART NUMBER	REV
1	1	RFM-CC-MESH-4X8X16Ga	00
2	1	RFM-CC-2x2x96 16Ga ANGLE	02
3	20	1/4-20 Keps Nut	00
4	20	1/4-20 x 3/4 Carriage Bolt BLK ZINC	00
5	20	5/16 FLAT WASHER BLK ZINC	00

\*\* ALL ABOVE CAGE PANELS WILL BEGIN WITH THESE 2 ITEMS (1 & 2) AND ASSEMBLED WITH THE HARDWARE PROVIDED THAT'S SUPPLIED WITH THE ANGLES.

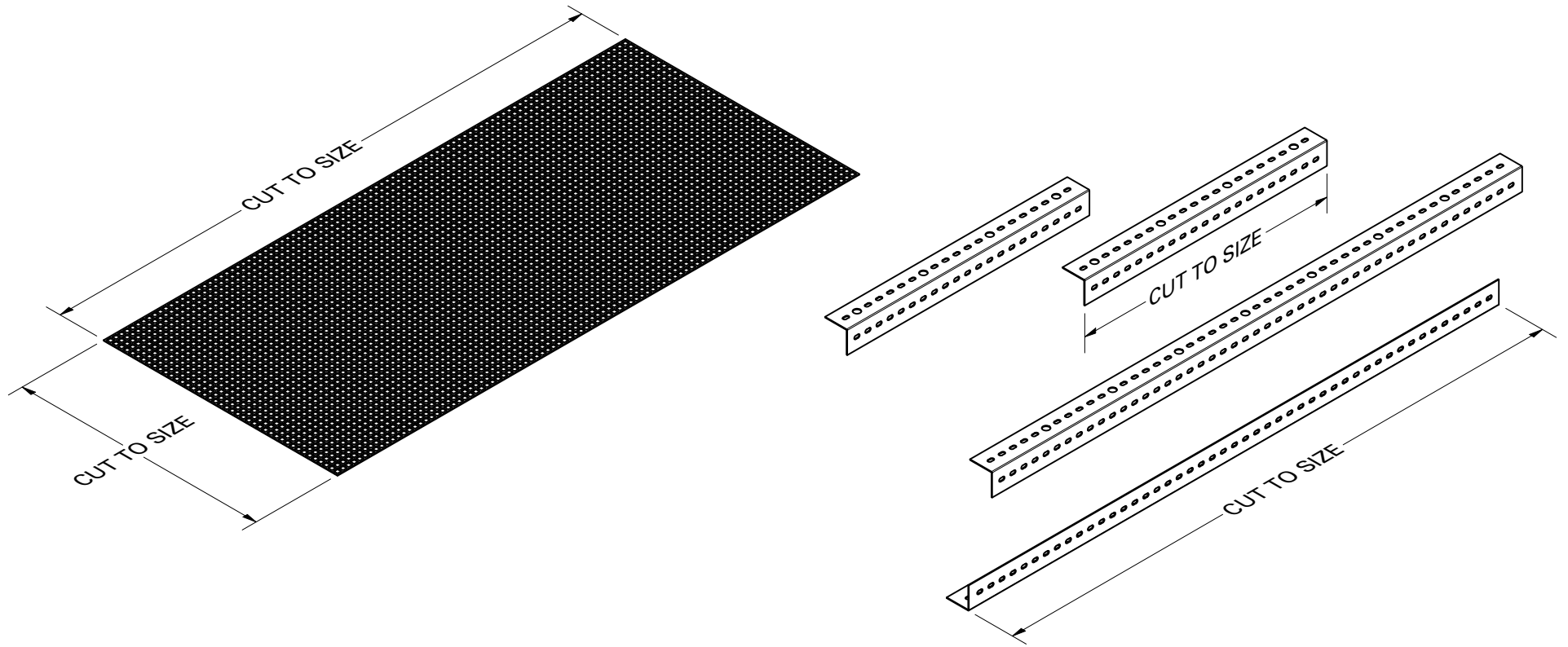


**R.F. MOTE**  
A division of Chatsworth Products

214 NEWKIRK RD.  
RICHMOND HILL, ONTARIO  
L4C 3G7  
PHONE (905) 884-5250  
FAX (905) 737-5188

TOLERANCES	DESCRIPTION	MASS	REV
FRAC. ± 1/16"	PART NUMBER <b>BTS-ABOVE CAGE OPTIONS</b>	41.01 lb	00
ANGLE ± 1.0°			
HOLES ± 0.003"			
0.000 ± 0.015"	DATE 24-Jan-25		
	AUTHOR gillison i		

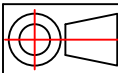
The information contained herein is proprietary and confidential to R.F.MOTE LTD. It may not be reproduced or further disseminated, in whole or in part, without prior written consent from R.F.MOTE LTD.



\*\* FROM A FULL 4' x 8' PERFORATED SHEET  
 & 2 x 2 x 96" ANGLE, BTS-MESH PANELS  
 CAN BE CUT TO SIZE TO FILL THE ABOVE CAGE VOID.

THE QUANTITY OF THESE FULL LENGTH PARTS,  
 SHEETS AND ANGLES, WILL HAVE TO BE ROUGHLY  
 THOUGHT OUT TO DETERMINE WHAT'S NEEDED TO PUT  
 THE ASSEMBLIES TOGETHER.  
 TYPICAL MESH ASSEMBLY SHOULD BE BASED  
 OFF OF A 2' x 4' PANEL.  
 (NEXT PAGE SHOWS HOW TO ASSEMBLE)

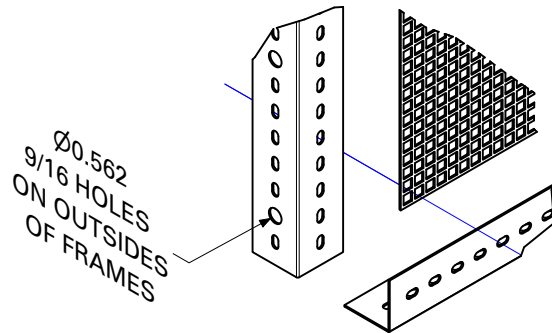
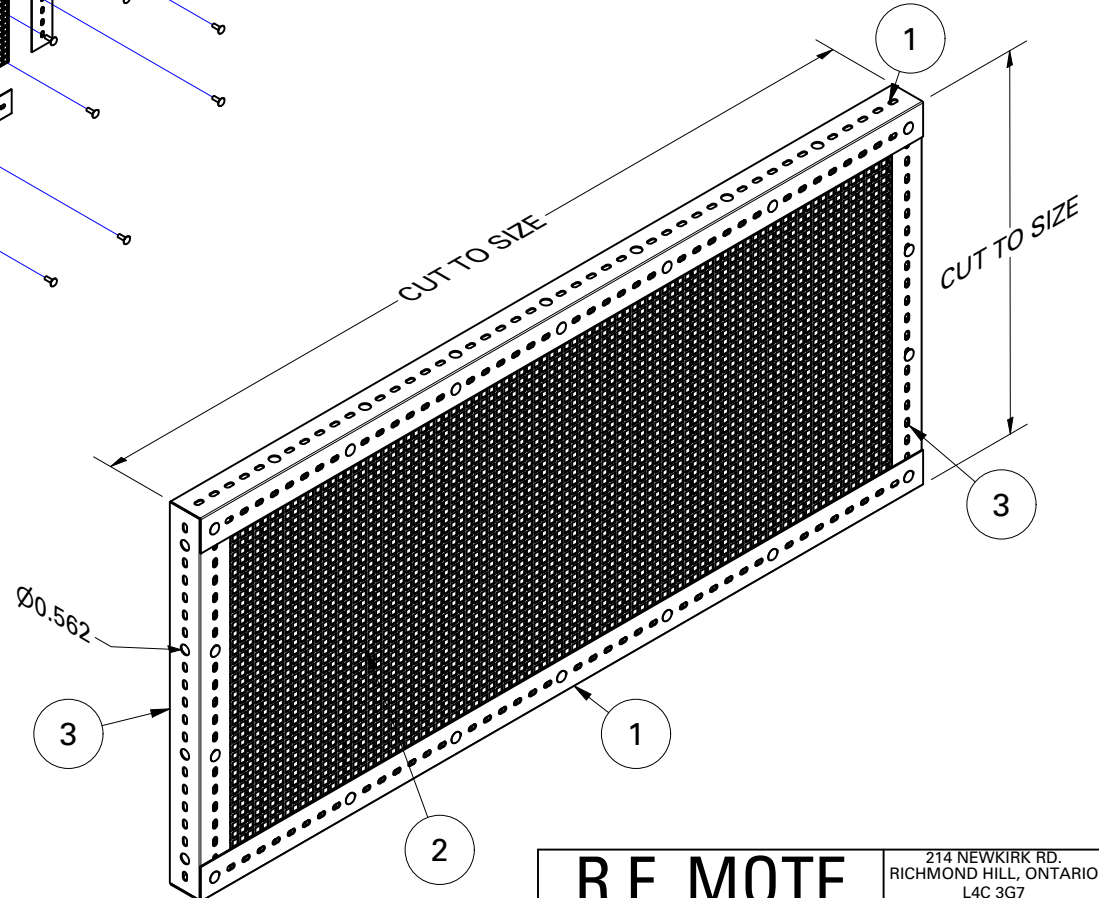
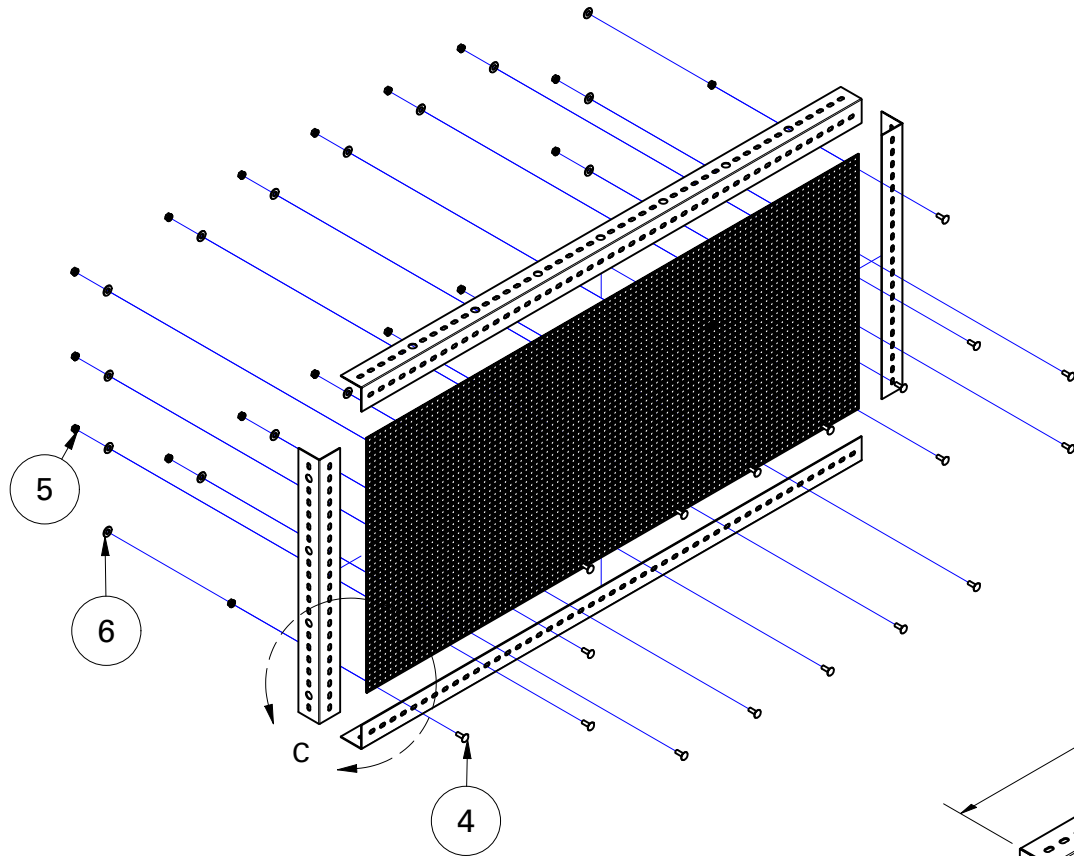
**R.F. MOTE**  
 A division of Chatsworth Products  
 214 NEWKIRK RD.  
 RICHMOND HILL, ONTARIO  
 L4C 3G7  
 PHONE (905) 884-5250  
 FAX (905) 737-5188

TOLERANCES FRAC. ± 1/16" ANGLE ± 1.0° HOLES ± 0.003" 0.000 ± 0.015"	DESCRIPTION		
	PART NUMBER <b>BTS-ABOVE CAGE PANEL OPTIONS-CTS</b>		
	DATE	MASS	REV
	24-Jan-25	16.23 lb	00
AUTHOR gillison j		SHEET 2 OF 7	

The information contained herewithin is  
 proprietary and confidential to R.F.MOTE LTD.  
 It may not be reproduced or further  
 disseminated, in whole or in part, without  
 prior written consent from R.F.MOTE LTD.

PARTS LIST

ITEM	QTY	PART NUMBER	REV
1	2	RFM-CC-2 x 2 x XX CTS HOR	02
2	1	RFM-CC-PERF_16G CTS	00
3	2	RFM-CC-2 x 2 x XX CTS VERT	00
4	20	1/4-20 x 3/4 Carriage Bolt BLK ZINC	00
5	20	1/4-20 Keps Nut	00
6	20	5/16 FLAT WASHER BLK ZINC	00



**DETAIL C**  
ASSEMBLY WITH  
OVER LAP CORNERS

**R.F. MOTE**

A division of Chatsworth Products

214 NEWKIRK RD.  
RICHMOND HILL, ONTARIO  
L4C 3G7  
PHONE (905) 884-5250  
FAX (905) 737-5188

TOLERANCES DESCRIPTION

FRAC. ± 1/16"  
ANGLE ± 1.0°  
HOLES ± 0.003"  
0.000 ± 0.015"

PART NUMBER  
**RFM-CC-BTS-MESH PANEL**

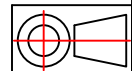
DATE  
**24-Jan-25**

AUTHOR  
**gillison i**

MASS  
**1b**

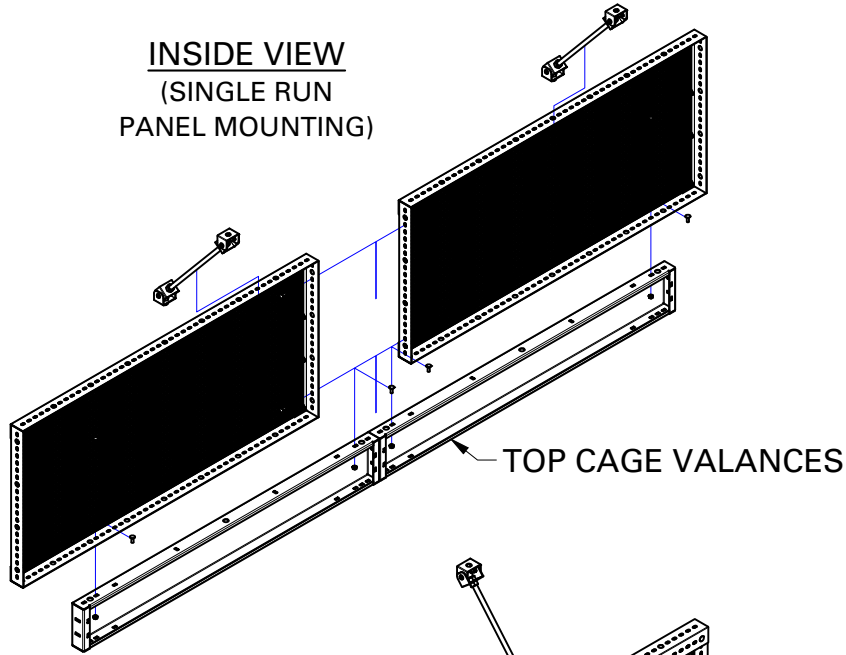
REV  
**01**

**SHEET 3 OF 7**



The information contained herein is proprietary and confidential to R.F.MOTE LTD. It may not be reproduced or further disseminated, in whole or in part, without prior written consent from R.F.MOTE LTD.

**INSIDE VIEW**  
(SINGLE RUN  
PANEL MOUNTING)



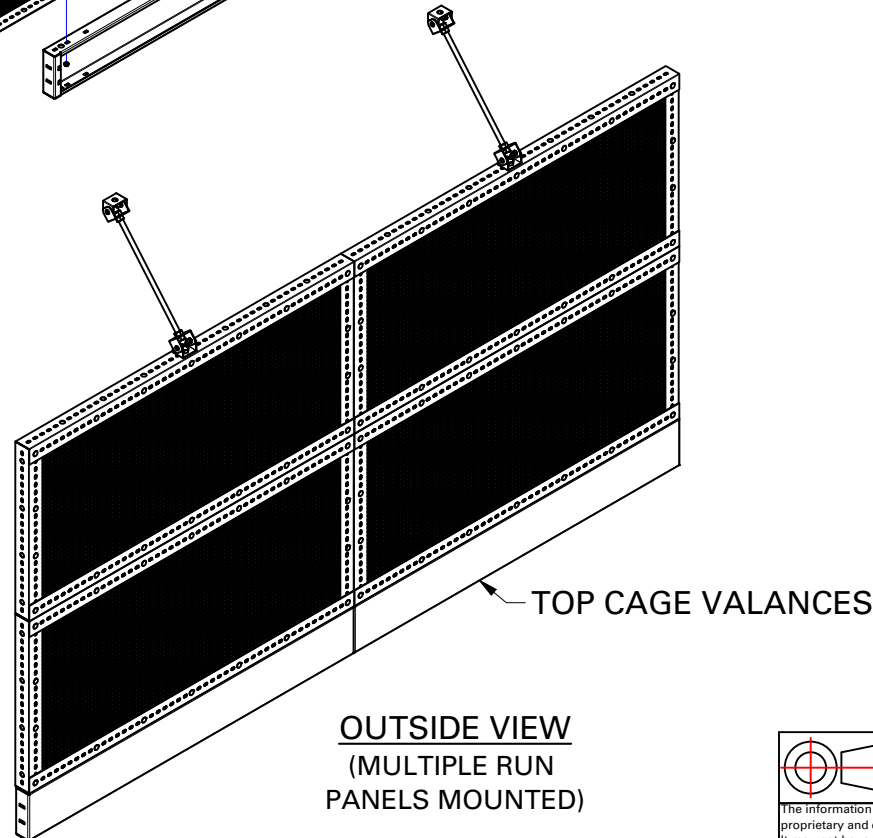
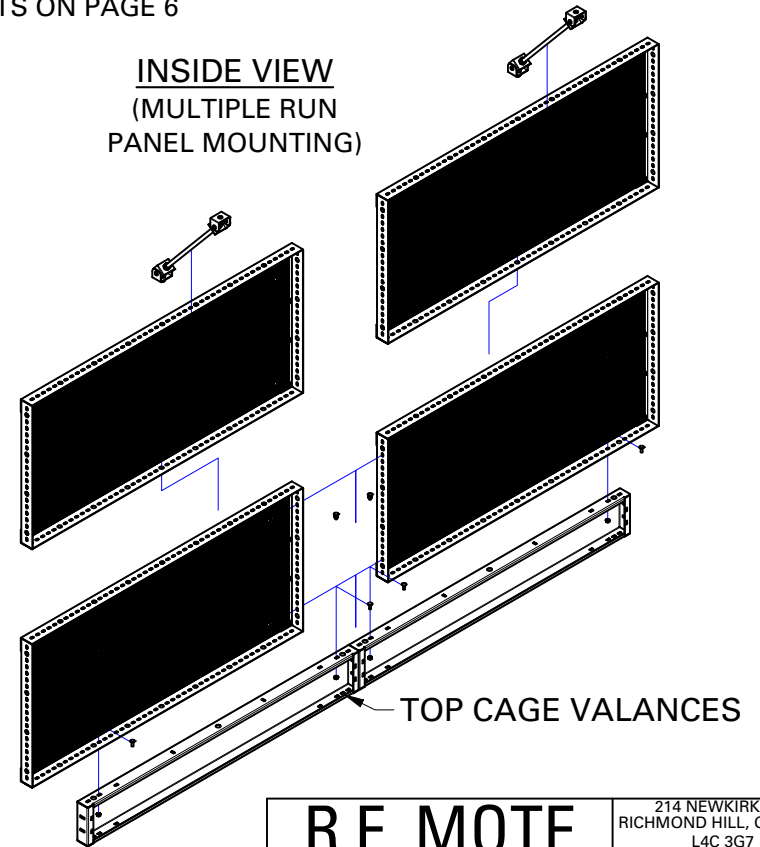
\*\* ONCE BTS-MESH PANELS ARE ASSEMBLED, THEY CAN BE INSTALLED IN VARIOUS OPTIONS. DEPENDING ON THE ABOVE HEIGHT TO THE DROP CEILING, ROOF JOIST, OR THE ROOF ITSELF, THE PANELS CAN BE MOUNTED SINGLE PANEL HIGH (BY CHOSEN HEIGHT) OR CAN BE STACKED AND FASTENED TOGETHER. THERE IS ALSO THE OPTION OF USING THE THREADED ROD FOR EXTRA STABILITY.

\*\*THE MESH ITSELF CAN BE CUT ON SITE TO FIT AROUND INCOMING OBSTRUCTIONS SUCH AS DUCT WORK, PIPING, CONDUITS, AND CABLE TRAYS.

(SEE ASSEMBLY OPTIONS SHOWING)

\*\*SEE LAYOUTS ON PAGE 6

**INSIDE VIEW**  
(MULTIPLE RUN  
PANEL MOUNTING)

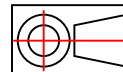


**OUTSIDE VIEW**  
(MULTIPLE RUN  
PANELS MOUNTED)

**R.F. MOTE**  
A division of Chatsworth Products

214 NEWKIRK RD.  
RICHMOND HILL, ONTARIO  
L4C 3G7  
PHONE (905) 884-5250  
FAX (905) 737-5188

TOLERANCES
FRAC. $\pm 1/16''$
ANGLE $\pm 1.0^\circ$
HOLES $\pm 0.003''$
0.000 $\pm 0.015''$



The information contained herewithin is proprietary and confidential to R.F.MOTE LTD. It may not be reproduced or further disseminated, in whole or in part, without prior written consent from R.F.MOTE LTD.

DESCRIPTION

PART NUMBER  
**BTS-ABOVE CAGE PANEL OPTIONS**

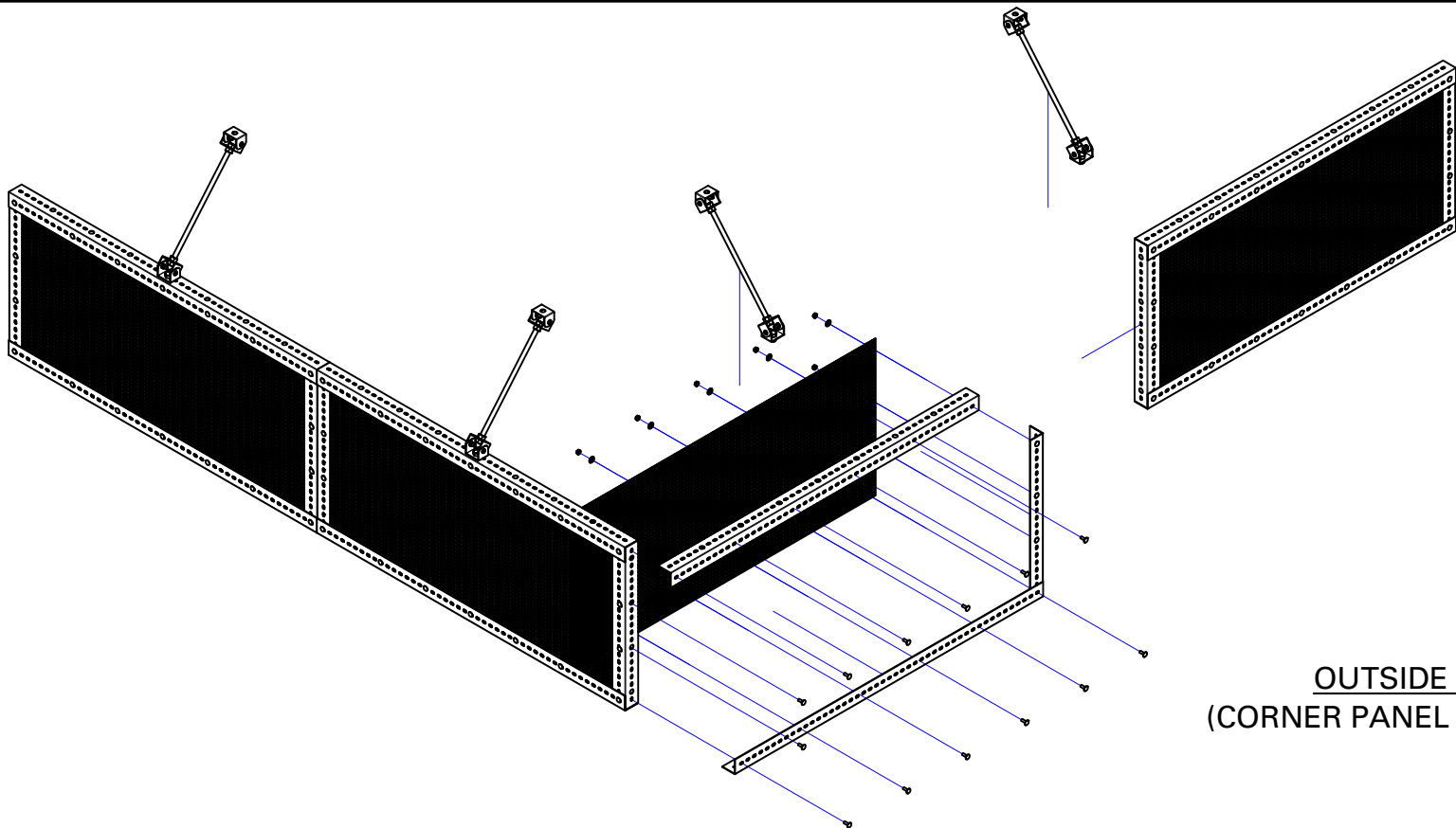
DATE  
**24-Jan-25**

AUTHOR  
**gillison j**

MASS  
**93.92 lb**

REV  
**00**

**SHEET 4 OF 7**

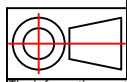


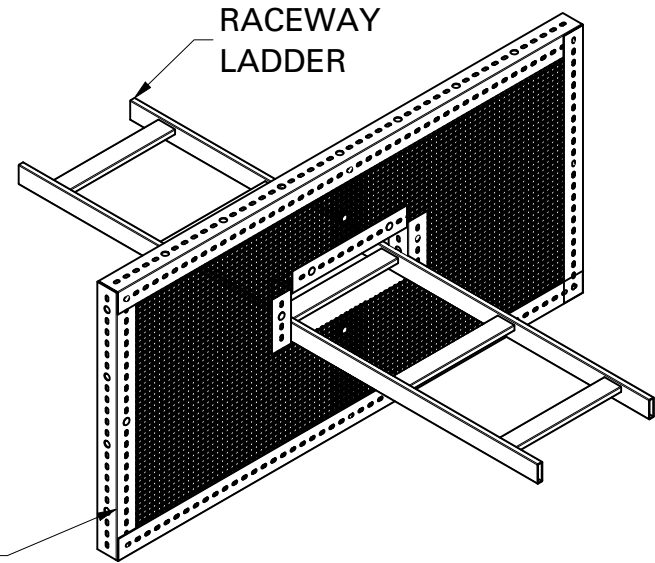
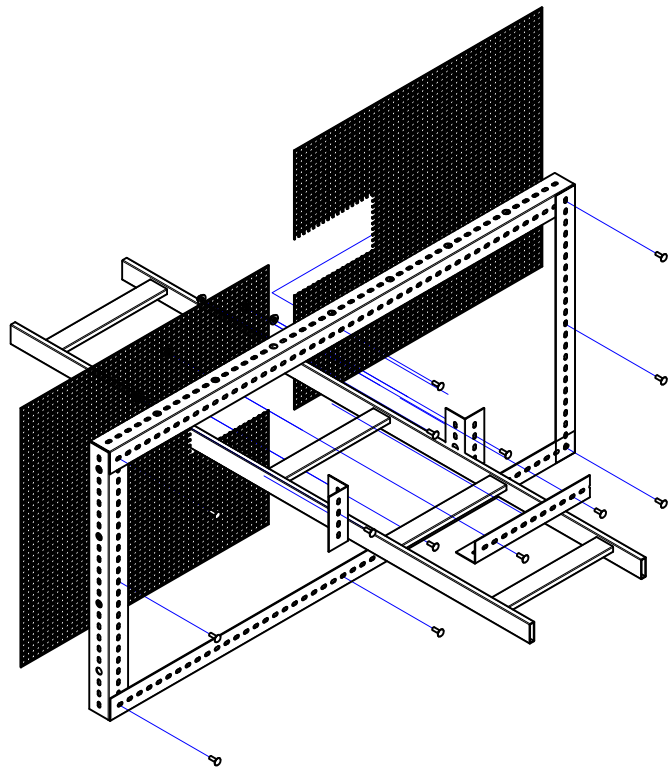
**OUTSIDE VIEW  
(CORNER PANEL MOUNTING)**

WHEN TACKLING A CORNER ABOVE THE CAGE,  
THE ASSEMBLY PROCESS WILL BE DIFFERENT.  
THIS WILL BE A MANUAL STEP BY STEP RATHER  
THAN STARTING WITH A COMPLETE BTS-MESH PANEL.

START WITH ADDING THE MESH ITSELF TO THE INSIDE FINISHED  
CORNERING @ 90 DEGREES. THEN ADDING THE TOP, BOTTOM, AND OTHER END  
ANGLES, OVERLAPPING THE FINISHED CORNER  
AND INSTALLING THE HARDWARE FASTENING ALL PARTS TOGETHER.  
ONCE THE CORNER PANEL IS ASSEMBLED, THE NEXT PANEL  
WILL ATTACH LIKE REGULAR WITH AN  
ASSEMBLED BTS-MESH PANEL.  
(SEE IMAGE ABOVE)

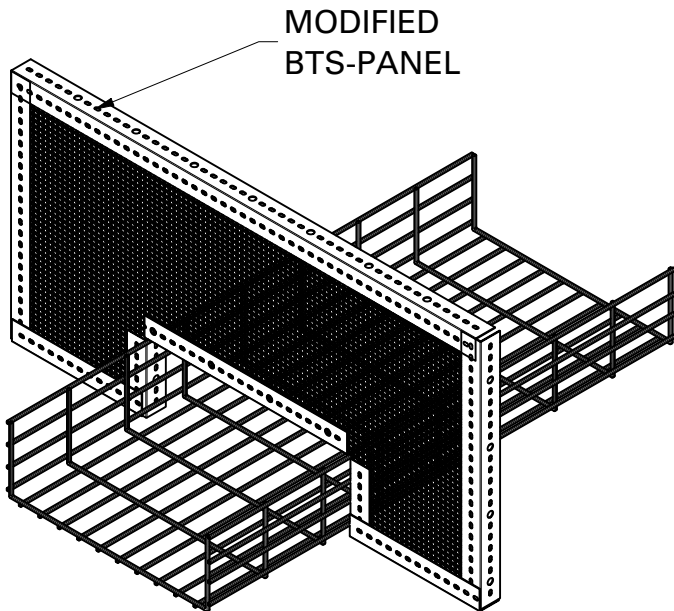
**R.F. MOTE**  
A division of Chatsworth Products  
214 NEWKIRK RD.  
RICHMOND HILL, ONTARIO  
L4C 3G7  
PHONE (905) 884-5250  
FAX (905) 737-5188

<p>TOLERANCES</p> <p>FRAC. ± 1/16"</p> <p>ANGLE ± 1.0°</p> <p>HOLES ± 0.003"</p> <p>0.000 ± 0.015"</p>	DESCRIPTION		
	PART NUMBER <b>BTS-ABOVE CAGE CORNER OPTION</b>		
 <p>The information contained herewithin is proprietary and confidential to R.F.MOTE LTD. It may not be reproduced or further disseminated, in whole or in part, without prior written consent from R.F.MOTE LTD.</p>	DATE <b>24-Jan-25</b>	MASS <b>69.91 lb</b>	REV <b>00</b>
	AUTHOR <b>gillison j</b>	SHEET 5 OF 7	



MODIFIED  
BTS-PANEL

RACEWAY  
LADDER



MODIFIED  
BTS-PANEL

CABLE TRAY

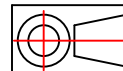
\*\*BTS PANELS HAVE MULTIPLE ASSEMBLY OPTIONS  
WHEN IT COMES THE PERFORATED MESH FOR  
WORKING AROUND OBSTACLES THAT ENTER ABOVE  
THE CAGE AND BELOW THE FLOOR.

**R.F. MOTE**

A division of Chatsworth Products

214 NEWKIRK RD.  
RICHMOND HILL, ONTARIO  
L4C 3G7  
PHONE (905) 884-5250  
FAX (905) 737-5188

TOLERANCES
FRAC. $\pm 1/16''$
ANGLE $\pm 1.0^\circ$
HOLES $\pm 0.003''$
0.000 $\pm 0.015''$



The information contained herewithin is  
proprietary and confidential to R.F.MOTE LTD.  
It may not be reproduced or further  
disseminated, in whole or in part, without  
prior written consent from R.F.MOTE LTD.

DESCRIPTION

PART NUMBER  
**BTS-ABOVE CAGE PANEL OPTIONS**

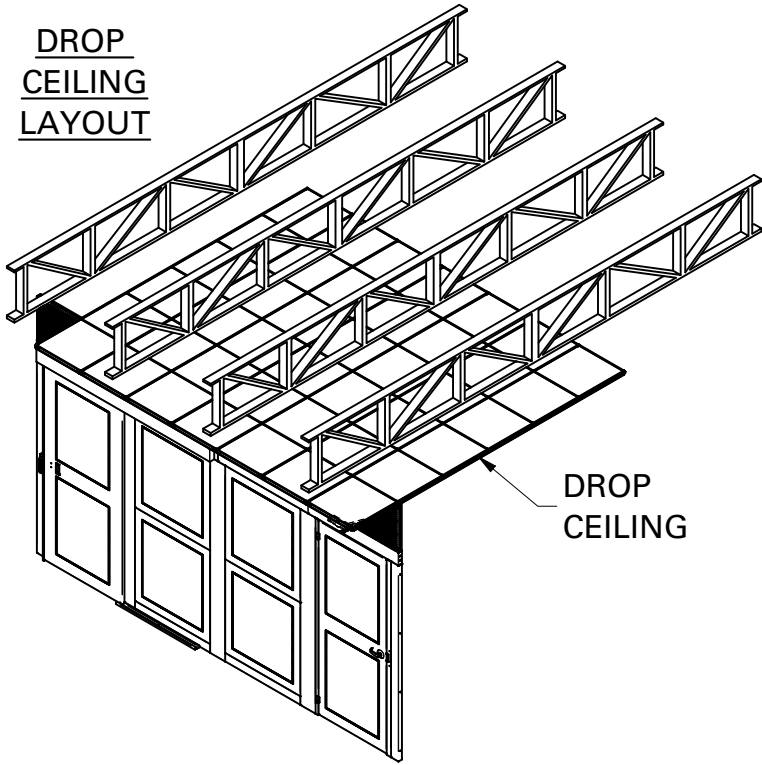
DATE  
**24-Jan-25**

AUTHOR  
**gillison i**

MASS  
**93.92 lb**

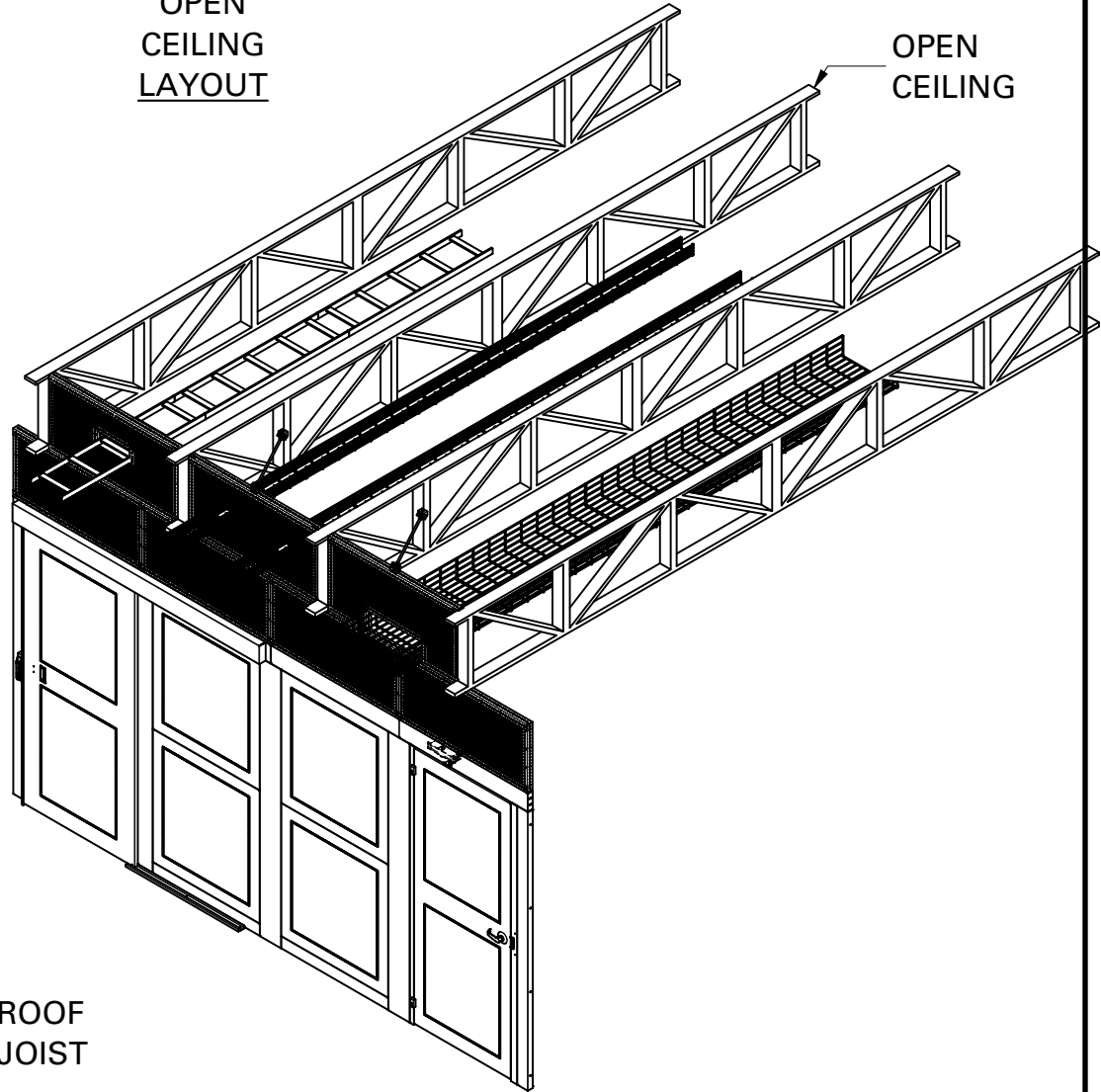
REV  
**00**

DROP  
CEILING  
LAYOUT



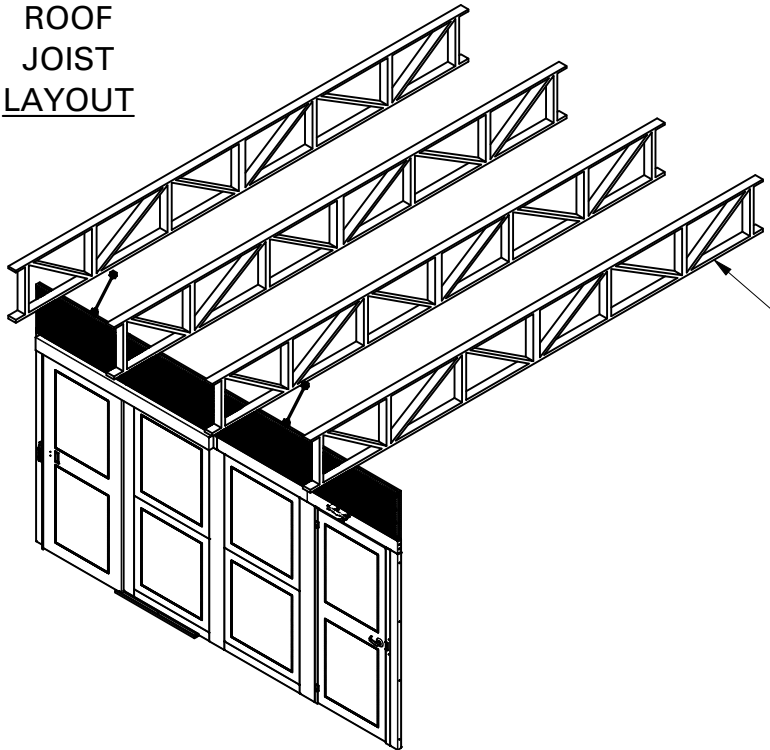
DROP  
CEILING

OPEN  
CEILING  
LAYOUT



OPEN  
CEILING

ROOF  
JOIST  
LAYOUT



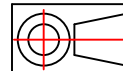
ROOF  
JOIST

**R.F. MOTE**

A division of Chatsworth Products

214 NEWKIRK RD.  
RICHMOND HILL, ONTARIO  
L4C 3G7  
PHONE (905) 884-5250  
FAX (905) 737-5188

TOLERANCES  
FRAC. ± 1/16"  
ANGLE ± 1.0°  
HOLES ± 0.003"  
0.000 ± 0.015"



The information contained herein is  
proprietary and confidential to R.F.MOTE LTD.  
It may not be reproduced or further  
disseminated, in whole or in part, without  
prior written consent from R.F.MOTE LTD.

DESCRIPTION

PART NUMBER  
**BTS-ABOVE CAGE PANEL OPTIONS**

DATE  
**24-Jan-25**

AUTHOR  
**gillison i**

MASS  
**93.92 lb**

REV  
**00**

**SHEET 7 OF 7**